

# Q2K Plus

## Right Angle Plate Turner Assembly



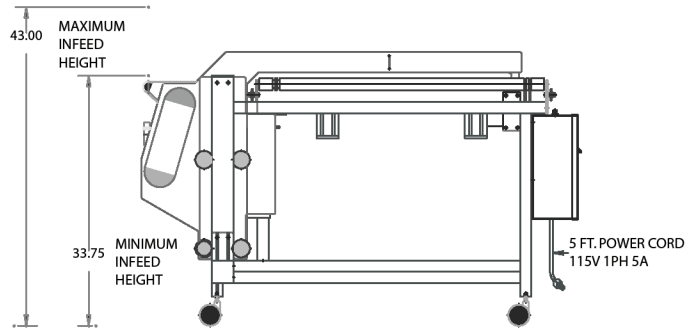
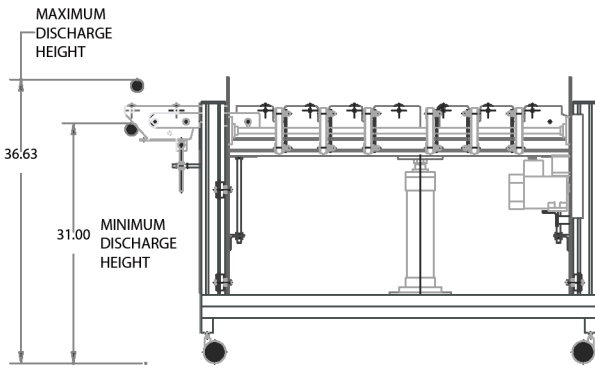
### ALL NEW HIGH SPEED Right Angle Plate Transfer Assembly

#### APPLICATION OVERVIEW

The Q2K-Plus is designed to reorient plates from landscape to portrait at a right angle thereby reducing capital expense for a wide processor, conserving floor space, reducing chemical costs and simplifying processor maintenance.

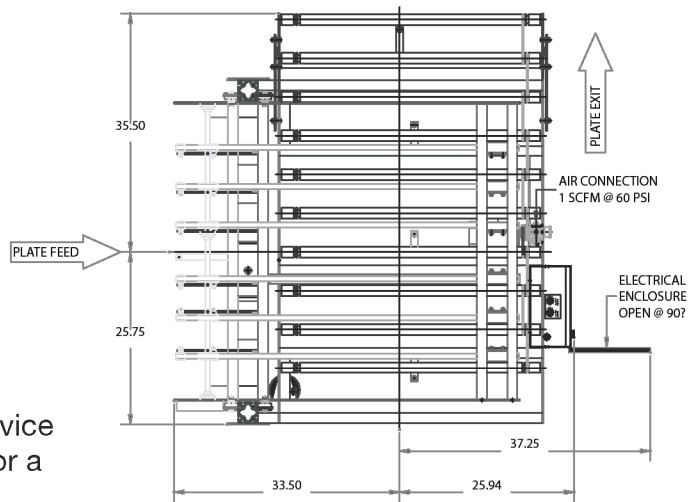
#### FEATURES

- Couples CTP units to processors for a complete 100% hands free plate transport system
- Convertible to transports plates to the right or the left
- Plate exposing unit does not require an exit conveyor
- Transports plate sizes 15" x 12" to 41" x 31.5"
- Automatic dual speed operation for high-speed throughput
- Transports up to 60 plates per hour
- Adjustable exit speed
- NO TOUCH plate centering
- Self contained circuit protection
- Manufacturer supplied quick disconnect air coupling
- 115 VAC with power cord for easy installation
- Compact foot print
- Swivel casters for portability
- Simple installation



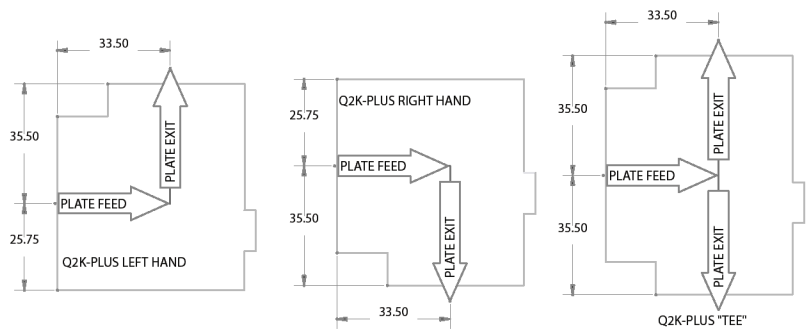
**SPECIFICATIONS**

- 61" wide x 61" long right angle transfer unit
- Stainless steel and aluminum construction
- Six urethane in-feed belts
- Pneumatic in-feed elevation actuator
- OSHA lockout air prep unit
- Urethane covered exit rollers
- Self contained electrical controls
- Totally enclosed drive guards
- Adjustable in-feed and exit elevations
- Optional communication interface with output device
- Extended infeed system... Eliminating the need for a plate setter exit conveyor
- Adjustable discharge speed
- Unit weight 350 lbs.
- Shipping Weight 600 lbs.
- Maximum Plate size = 41" x 31.5"
- Minimum plate size = 15" x 12"



**UTILITY REQUIREMENTS**

- 115 VAC 5 Amps
- Clean dry compressed air
- 0.1 SCFM @ 60 PSI



For additional Information:  
 Contact: Alan Cudahy  
 Phone: 970-485-0847  
 Fax: 843-342-5020  
 e-mail: conveyorsplus@hargray.com

 [www.conveyorsplus.com](http://www.conveyorsplus.com)  
 Conveyors Plus, Inc.  
 13301 Southwest Highway  
 Orland Park, IL 60462-1364

To order:  
 Contact: Conveyors Plus, Inc.  
 Phone: 708-361-1512  
 Fax: 708-361-4372  
 e-mail: contact@conveyorsplus.net